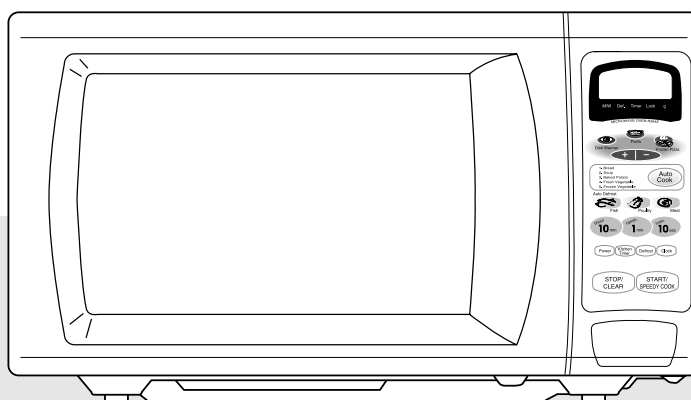


# NEC

# MICROWAVE OVEN

N364E

## OPERATING INSTRUCTIONS



Before operating this oven, please read these instructions completely.

## PRECAUTIONS TO AVOID POSSIBLE EXPOSURE TO EXCESSIVE MICROWAVE ENERGY

- (a) **Do not attempt to operate this oven with the door open** since open-door operation can result in harmful exposure to microwave energy. It is important not to defeat or tamper with the safety interlocks.
- (b) **Do not place any object** between the oven front face and the door or allow soil or cleaner residue to accumulate on sealing surfaces.
- (c) **WARNING** : If the door or door seals are damaged, the oven must not be operated until it has been repaired by an authorised NEC repairer : (1) door (bent), (2) hinges and latches (broken or loose), (3) door seals and sealing surfaces.
- (d) **WARNING** : It is hazardous for anyone other than an authorised NEC repairer to carry out any service or repair operation which involves the removal of a cover which gives protection against exposure to microwave energy.
- (e) **WARNING** : Liquids or other foods must not be heated in sealed containers since they are liable to explode.
- (f) **WARNING** : Only allow children to use the oven without supervision when adequate instructions have been given so that the child is able to use the oven in a safe way and understands the hazards of improper use.

- It is not recommended for use in an environment where excessive vibration could be experienced
- The appliance is not intended for use by young children or infirm persons without supervision.
- Young children should be supervised to ensure that they do not play with the appliance.

## TABLE OF CONTENTS

• PRECAUTIONS .....	1
• EARTHING INSTRUCTIONS .....	2
• INSTALLATION .....	2
• SPECIFICATIONS.....	3
• IMPORTANT SAFETY INSTRUCTIONS .....	4
• FEATURES DIAGRAM.....	5
• FEATURES DIAGRAM.....	6
• OPERATION PROCEDURE .....	7
• CONTROLS.....	8
SETTING THE CLOCK .....	8
TIME DEFROSTING .....	8
WEIGHT DEFROSTING.....	9
COOKING IN ONE STAGE .....	10
COOKING IN TWO STAGES.....	10
KITCHEN TIMER MODE.....	11
SPEEDY COOK .....	12
ONE TOUCH COOKING .....	12
ONE TOUCH COOKING .....	13
AUTO COOK .....	13
LESS, MORE.....	14
CHILD SAFETY LOCK.....	14
TO STOP THE OVEN WHILE THE OVEN IS OPERATING .....	14
• UTENSIL TEST .....	15
• MICROWAVE UTENSILS .....	15
• CARE OF YOUR MICROWAVE OVEN .....	16
• USE YOUR MICROWAVE OVEN SAFELY .....	17
• BEFORE YOU CALL FOR SERVICE.....	18
• QUESTIONS AND ANSWERS.....	18

# EARTHING INSTRUCTIONS

This appliance must be earthed. In the event of an electrical short circuit, earthing reduces the risk of electric shock by providing an escape wire for the electric current. This appliance is equipped with a cord having a earthing wire with a earthing plug. The plug must be plugged into an outlet that is properly installed and earthed.

**WARNING** : Improper use of the earthing plug can result in a risk of electric shock. Consult a qualified electrician or authorised repairer if the earthing instructions are not completely understood, or if doubt exists as to whether the appliance is properly earthed. If it is necessary to use an extension cord, use only a 3-wire extension cord that has a 3-blade earthing plug, and a 3-slot receptacle that will accept the plug on the appliance. The marked rating of the extension cord should be equal to or greater than the electrical rating of the appliance.

## INSTALLATION

### 1 Steady, flat location

This oven should be set on a steady, flat surface. This oven is designed for counter top use only.

### 2 Leave space behind and side

All air vents should be kept clear. If vents are covered during operation, the oven may overheat and eventually may cause oven failure.

### 3 Away from radio and TV sets

Poor television reception and radio interference may result if the oven is located close to a TV, Radio antenna, feeder and so on. Position the oven as far from them as possible.

### 4 Away from heating appliance and water taps

Keep the oven away from hot air, steam or splash when choosing a place to position it, or the insulation might be adversely affected and breakdowns may occur.

### 5 Power supply

- Check your local power source. This oven requires a current of approximately 6 amperes, 230~240V 50Hz.
- Power supply cord is about 0.8 meters long.
- The voltage used must be the same as specified on this oven. Using a higher voltage may result in a fire or other accident causing oven damage. Using low voltage will cause slow cooking. NEC is not responsible for damage resulting from use of this oven with a voltage of ampere fuse other than those specified.
- If the supply cord is damaged, it must be replaced by the manufacturer or its service agent or a similarly qualified person in order to avoid a hazard.

### 6 Examine the oven after unpacking for any damage such as:

A misaligned door, Broken door, A dent in cavity. If any of the above are visible, DO NOT INSTALL, and notify dealer immediately.

### 7 Do not operate the oven if it is colder than room temperature.

(This may occur during delivery in cold weather.) Allow the oven to become room temperature before operating.

### 8 The minimum height of free space necessary above the top surface of the oven is 100mm.

# SPECIFICATIONS

POWER SUPPLY		230~240V AC 50 Hz SINGLE PHASE WITH EARTHING
MICROWAVE	POWER CONSUMPTION	1350 W
	OUTPUT POWER	1000 W
	FREQUENCY	2450 MHz
OUTSIDE DIMENSIONS (W X H X D)		563 x 318 x 418 mm (22.1 x 12.5 x 16.5 in.)
CAVITY DIMENSIONS (W X H X D)		380 x 246 x 386 mm (14.9 x 9.7 x 15.2 in.)
NET WEIGHT		APPROX. 16.5KG (36.4 lbs.)
TIMER		99 min. 90 sec.
POWER LEVELS		10 LEVELS
LITERATE		36 LT
TURNABLE DIMENSIONS		325 mm

\* Specifications are subject to change without notice.

# IMPORTANT SAFETY INSTRUCTIONS

## READ CAREFULLY AND KEEP FOR FUTURE REFERENCE

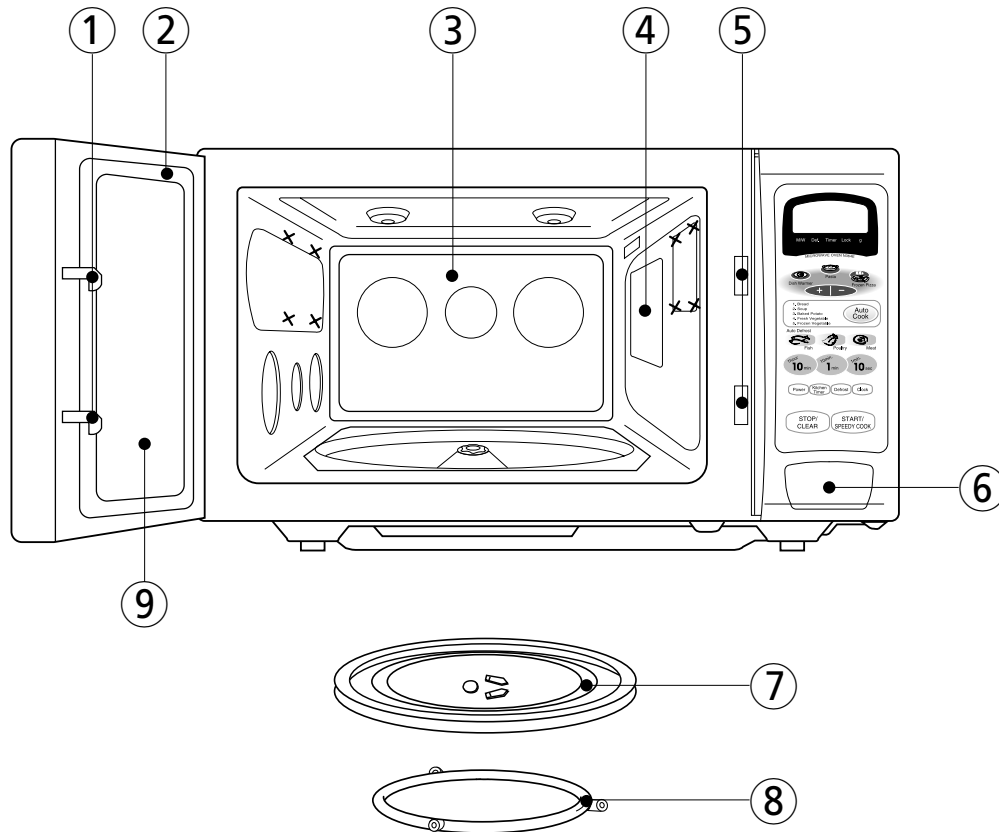
**WARNING :** To prevent fire, burns, electric shock and other hazards please heed the following warnings.

Listed below are, as with all appliances, certain rules to follow and safeguards to ensure high performance from your microwave oven.

1. Do not use the oven for any reason other than food preparation, such as for drying clothes, paper, or any other nonfood items or for sterilizing purposes.
2. Do not operate the oven when empty, this could damage the oven.
3. Do not use the oven cavity for any type of storage, such as papers, cookbooks, cookware, etc.
4. Do not operate the oven without the glass tray in place. Be sure it is sitting properly on the rotating base.
5. Make sure you remove caps or lids prior to cooking when you cook food sealed in bottles or containers.
6. Do not put foreign material between the oven surface and door. It could result in excessive leakage of microwave energy.
7. Do not use recycled paper products for cooking. They may contain impurities which could cause sparks and/or fires when used during cooking.
8. Do not pop popcorn unless popped in a microwave approved popcorn popper or unless it's commercially packaged and recommended especially for microwave ovens. Microwave popped corn produces a lower yield than conventional popping; there will be a number of unpopped kernels. Do not use oil unless specified by the manufacturer.
9. Do not pop popcorn longer than the manufacturer's directions. (popping time is generally below 3 minutes). Longer cooking does not yield more popped corn, it can cause scorplings and fire.  
Also, the cooking tray can become too hot to handle or may break.
10. Do not cook any food surrounded by a membrane, such as egg yolks, potatoes, chicken livers, etc., without first piercing them several times with a fork.
11. If smoke is observed, switch off or unplug the appliance and keep the door closed in order to stifle any flames.
12. When heating food in plastic or paper containers, keep an eye on the oven due to the possibility of ignition.
13. The contents of feeding bottles and baby food jars should be stirred or shaken and the temperature checked before consumption in order to avoid burns.
14. Always test the temperature of food or drink which has been heated in a microwave oven before you give it to somebody, especially to children or elderly people. This is important because food and drink which has been heated in a microwave oven continue to get hotter even though the microwave oven cooking has stopped.
15. Eggs in their shell and whole hard-boiled eggs should not be heated in microwave ovens since they may explode, even after microwave heating has ended;
16. Keep the waveguide cover clean at all times. Wipe the oven interior with a soft damp cloth after each use. If you leave grease or fat anywhere in the cavity it may overheat, smoke or even catch fire when next using the oven.
17. Never heat oil or fat for deep frying as you cannot control the temperature and doing so may lead to overheating and fire.
18. Microwave heating of beverages can result in delayed eruptive boiling, therefore care must be taken when handling the container.

## SAVE THESE INSTRUCTIONS

# FEATURES DIAGRAM



**1. Door latch** - When the door is closed it will automatically lock shut. If the door is opened while the oven is operating, the magnetron will automatically shut off.

**2. Door seal** - The door seal maintains the microwave within the oven cavity and prevents microwave leakage.

**3. Oven cavity**

**4. Spatter shield** - Protects the microwave outlet from splashes of cooking foods.

**5. Safety interlock system** - Prevents the oven from operating while the door is opened.

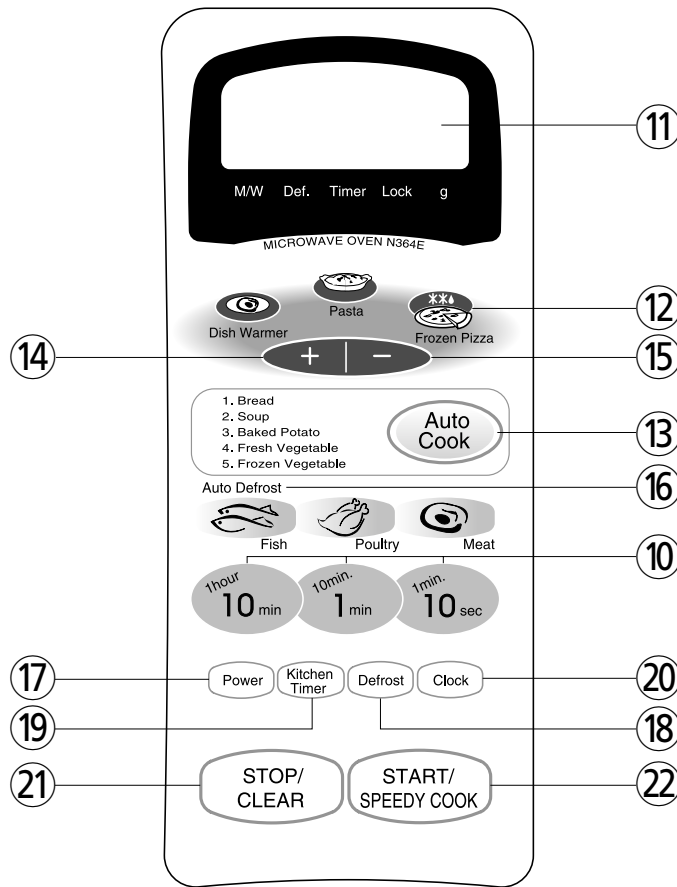
**6. Door release button** - Pushing this button stops oven operation and opens the door.

**7. Glass cooking tray** - Made of special heat resistant glass. The tray must always be in proper position before operating. Do not cook food directly on the tray.

**8. Roller guide** - Supports the glass cooking tray.

**9. Door screen** - Allows viewing of food. The screen is designed so that light can pass through, but not the microwaves.

# FEATURES DIAGRAM (continued)



**10. Time set pad** - Used to set the cooking time and the present time.

**11. Display** - Cooking time, power level, indicators and present time are displayed.

**12. One touch** - Used to cook or reheat specific quantities of food.

**13. Auto cook** - Used to cook or reheat.

**14. More** - Used to add time to cooking.

**15. Less** - Used to remove time from cooking.

**16. Auto Defrost** - Used to defrost food(for weight).

**17. Power** - Used to set power level.

**18. Defrost** - Used to defrost food(for time).

**19. Kitchen Timer** - Used as a minute timer, delay cooking, hold setting after cooking.

**20. Clock** - Used to set clock.

**21. Stop/Clear** - Used to stop the oven operation or to delete the cooking data.

**22. Start /Speedy cook**- Used to start the oven and also used to set a reheat time.

# OPERATION PROCEDURE

This section includes useful information about oven operation.

1. Plug power supply cord into a standard 3- pronged 10 Amp, 230~240V AC 50Hz power outlet.
2. After placing the food in a suitable container, open the oven door and put it on the glass tray.  
The glass tray and roller guide must always be in place during cooking.
3. Shut the door. Make sure that it is firmly closed.

- |   |  |
|---|--|
| <ol style="list-style-type: none"> <li>1 The oven light is on when the microwave oven is operating or the door is opened.</li> <li>2 The oven door can be opened at any time during operation by touching the door release button on the control panel. The oven will automatically shut off.</li> <li>3 Each time a pad is touched, a BEEP will sound to acknowledge the touch.</li> <li>4 The oven automatically cooks on full power unless set to a lower power level.</li> <li>5 The display will show ":0" when the oven is plugged in.</li> <li>6 Time clock returns to the present time when the cooking time ends.</li> </ol> | <ol style="list-style-type: none"> <li>7 When the STOP/CLEAR pad is touched during the oven operation, the oven stops cooking and all information retained.<br/>To erase all information (except the present time), touch the STOP/CLEAR pad once more. If the oven door is opened during the oven operation, all information is retained.</li> <li>8 If the START pad is touched and the oven does not operate, check the area between the door and door seal for obstructions and make sure the door is closed securely.<br/>The oven will not start cooking until the door is completely closed or the program has been reset.</li> </ol> |
|---|--|

Make sure the oven is properly installed and plugged into the electrical outlet.

## WATTAGE OUTPUT CHART

- The power-level is set by pressing the POWER pad. The chart shows the display, the power level and the percentage of power.

Touch POWER pad	Power Level (Display)	Approximate Percentage of Power
once	P-HI	100%
twice	P-90	90%
3 times	P-80	80%
4 times	P-70	70%
5 times	P-60	60%
6 times	P-50	50%
7 times	P-40	40%
8 times	P-30	30%
9 times	P-20	20%
10 times	P-10	10%
11 times	P-00	0%

# CONTROLS

## SETTING THE CLOCK

When the oven is first plugged in, the display will flash ":0" and a tone will sound. If the AC power ever goes off, the display shows ":0" when the power comes back on.



1. Touch CLOCK pad.  
This is a 12 hour clock system.
2. Touch CLOCK pad once more.  
This is a 24 hour clock system.

**NOTE :** This oven has a multiple clock system. If you want a 12 hour clock system, ignore step 2.

3. Enter the correct time of day by touching the numbers in sequence.

4. Touch CLOCK pad.



The display stops blinking, and the colon start blinking. If you selected 12 hour clock system, this digital clock allows you to set from 1:00 to 12:59. If you selected 24 hour clock system, this digital clock allows you to set from 0:00 to 23:59.

5. Touch STOP/CLEAR pad.

**NOTE:** If you attempt to enter an incorrect time, the time will not be set and a error signal tone will sound. Touch the CLOCK pad and re-enter the time.

## TIME DEFROSTING

When TIME DEFROST is selected, the automatic cycle divides the defrosting time into periods of alternating defrost and stand times by cycling on and off.



1. Touch DEFROST pad.

The DEFROST indicator lights and " : 0" is displayed.

2. Touch number pads for the desired defrosting time.

The display will show the numbers you pressed in the order you touched.

3. Touch START pad.

**NOTE:** Your oven can be programmed for 99 minutes 90 seconds.(99:90)

When you touch START pad, the DEFROST indicator starts blinking to show the oven is in the DEFROST mode. The display counts down the time to show you how much defrosting time is left in the DEFROST mode. The oven beeps during the defrosting cycle to signal that the food needs to be turned or rearranged. When the defrosting time ends, you will hear 3 beeps.

## WEIGHT DEFROSTING

WEIGHT DEFROSTING lets you easily defrost food by eliminating guesswork in determining defrosting time. Follow the steps below for easy defrosting.

<b>MEAT</b>	1. Touch MEAT pad.	The DEFROST & g indicator light and 500 is displayed.
	2. Select desired defrosting weight.	The display will show what you touched.
	3. Touch START pad.	MEAT DEFROSTING begins.

<b>POULTRY</b>	1. Touch POULTRY pad.	The DEFROST & g indicator light and 800 is displayed.
	2. Select desired defrosting weight.	The display will show what you touched.
	3. Touch START pad.	POULTRY DEFROSTING begins.

<b>FISH</b>	1. Touch FISH pad.	The DEFROST & g indicator light and 300 is displayed.
	2. Select desired defrosting weight.	The display will show what you touched.
	3. Touch START pad.	FISH DEFROSTING begins.

\* WEIGHT DEFROST CHART

Touch pad	MEAT	POULTRY	FISH
once	500 g	800 g	300 g
twice	800 g	1000 g	500 g
3 times	1000 g	1200 g	800 g
4 times	1200 g	1500 g	1000 g

The defrosting time is automatically determined by the weight selected. The g indicator goes off and the DEFROST indicator blinks and the defrosting time counts down in the display window. The oven beeps during the defrosting cycle to signal that the food needs to be turned or rearranged. When the defrosting time ends, you will hear 3 beeps.

## COOKING IN ONE STAGE

<div style="border: 1px solid black; padding: 5px; width: fit-content; margin-bottom: 10px;">POWER</div> <p>X6</p>	<p>1. Touch POWER pad. (Select desired power level.)</p>	<p>The M/W indicator lights. The display will show what you touched. This example shows power level 5.</p>
	<p>2. Touch the number pads for the cooking time.</p>	<div style="border: 2px dashed black; padding: 10px;"> <p><b>NOTE:</b> If steps 1 and 2 are omitted, the oven will cook at full power.</p> </div>
	<p>3. Touch START pad.</p>	<p>The display will show the numbers you pressed in the order you touched.</p>
		<div style="border: 2px dashed black; padding: 10px;"> <p><b>NOTE:</b> Your oven can be programmed for 99 minutes 90 seconds.(99:90)</p> </div>

When you touch START pad, the M/W indicator starts blinking to show the oven is cooking. The display counts down the time to show how much cooking time is left. When the cooking time ends, you will hear 3 beeps.

**NOTE:** It is recommended to use lower power levels and increase the cooking time required for foods such as cheese, milk and the slow cooking of meat.

## COOKING IN TWO STAGES

All recipes require frozen foods to be defrosted fully before cooking. This oven can be programmed to automatically defrost foods before cooking.

<div style="border: 1px solid black; padding: 5px; width: fit-content; margin-bottom: 10px;">DEFROST</div>	<p>1. Touch DEFROST pad.</p>	<p>The DEFROST indicator lights and “ : 0” is displayed.</p>
	<p>2. Touch number pads for the defrosting time you want.</p>	<p>The display will show the numbers you pressed in the order you touched.</p>
<div style="border: 1px solid black; padding: 5px; width: fit-content; margin-bottom: 10px;">POWER</div> <p>X 6</p>	<p>3. Touch POWER pad. (Select desired power level.)</p>	<p>The M/W indicator lights and “ P-HI” is The display will show what you touched. This example shows power level 5.</p>
	<p>4. Touch number pads for desired cooking time.</p>	
	<p>5. Touch START pad.</p>	<p>The display will show the number you pressed in the order you touched.</p>

When you touch START pad, the DEFROST and M/W indicators come on to confirm the power levels selected. The DEFROST indicator starts blinking to show you that the oven is in DEFROST mode. The display counts down the time remaining in DEFROST mode. When the oven beeps, turn over, break apart and/or redistribute the food. At the end of DEFROST mode, the oven will beep and start M/W cook. The DEFROST indicator goes off and the M/W indicator starts blinking. The display counts down the time remaining in M/W cook. When M/W cook ends, you will hear 3 beeps.

## KITCHEN TIMER MODE

Timer operates as a minute timer, can be set to delay cooking and used as a hold setting after cooking. However delay cooking can not be programmed for defrost. Timer operates without microwave energy.

### HOW TO USE AS A MINUTE TIMER

- |   |   |
|---|---|
| <div style="border: 1px solid black; padding: 5px; width: fit-content; margin-bottom: 10px;">KITCHEN<br/>TIMER</div> <p>1. Touch KITCHEN TIMER pad.</p> | <p>The KITCHEN TIMER indicator lights and “ : 0 ” is displayed.</p>   |
| <p>2. Press the amount of time you want to count down.</p>  | <p>The display will show the numbers you pressed in the order you touched.</p>  |
| <p>3. Touch START pad.</p>  | <p>The display counts down the time remaining in KITCHEN TIMER mode. When KITCHEN TIMER mode ends, you will hear 3 beeps.</p> |

### HOW TO USE TO DELAY THE START OF COOKING

- |   |  |
|---|--|
| <div style="border: 1px solid black; padding: 5px; width: fit-content; margin-bottom: 10px;">KITCHEN<br/>TIMER</div> <p>1. Touch KITCHEN TIMER pad.</p> | <p>The KITCHEN TIMER indicator lights and “ : 0 ” is displayed.</p>                    |
| <p>2. Press the amount of time you want to delay time.</p>  | <p>The display will show the numbers you pressed in the order you touched.</p>         |
| <p>3. Program the desired power level and cooking time for food to be cooked.</p>   | <p>The kitchen timer will begin counting down to zero and cooking will then begin.</p> |
| <p>4. Touch START pad.</p>  |  |

### HOW TO USE TO SET A HOLDING TIME

- |   |  |
|---|--|
| <p>1. Program the desired defrosting time.</p>  | <p>The KITCHEN TIMER indicator lights and “ : 0 ” is displayed.</p>            |
| <div style="border: 1px solid black; padding: 5px; width: fit-content; margin-bottom: 10px;">KITCHEN<br/>TIMER</div> <p>2. Touch KITCHEN TIMER pad.</p> | <p>The display will show the numbers you pressed in the order you touched.</p> |
| <p>3. Press the amount of time you want the oven to hold.</p>   | <p>Defrosting will start. After defrosting, stand time will count down.</p>    |
| <p>4. Touch START pad.</p>  |  |

**NOTE:** Your oven can be programmed for 99 minutes 90 seconds. (99:90)

## SPEEDY COOK

SPEEDY COOK allows you to reheat for 30 seconds at 100% (full power) by simply touching the SPEEDY COOK pad.

By repeatedly touching the SPEEDY COOK pad, you can also extend reheating time to 5 minutes by 30 second increments.

<b>SPEEDY COOK</b>	1. Touch SPEEDY COOK pad.	When you touch SPEEDY COOK, ":30" is displayed. After 1.5 seconds, the oven starts reheating.
------------------------	---------------------------	--

## ONE TOUCH COOKING

One touch cook allows you to cook or reheat many of your favorite foods by touching just one pad. To increase quantity, touch chosen pad until number in display is same as desired quantity to cook.

<b>PASTA</b>	1. Touch PASTA pad once for 1 serving or twice for 2 serving.	When you touch PASTA pad once, "1" is displayed. After the 1.5 seconds, the display is changed into cooking time and the oven starts cooking.
--------------	---	---

**WARNING - PLEASE NOTE**  
As ONE TOUCH cooking functions preset times are approximate, cooking times may vary due to such factors as cup/container size, food/beverage quantity and food/beverage type. Always pay close attention when using this function to prevent overcooking.

**\* PASTA \***

- 1 serving : Touch PASTA once.
- 2 serving : Touch PASTA twice within 1.5 seconds.

**NOTE:** 1. Place pasta into a deep casserole and double quantity of water.  
2. Cover with lid or plastic wrap. After cooking, stir.  
3. If possible, let stand 3 to 5 minutes or until liquid has been absorbed.

<b>FROZEN PIZZA</b>	1. Follow package directions for preparation model. 2. Touch FROZEN PIZZA pad once for 200g pizza or twice for 400g pizza.	When you touch FROZEN PIZZA pad once, "200g" is displayed. After 1.5 seconds, the display shows the cooking time and the oven starts cooking.
-------------------------	---	---

**\* FROZEN PIZZA \***

- 200 g : Touch FROZEN PIZZA once.
- 400 g : Touch FROZEN PIZZA twice within 1.5 seconds.

**NOTE:** 1. Use only frozen pizza at a time.  
2. Use only frozen pizza made for microwave ovens.  
3. If the cheese of frozen pizza does not melt sufficiently, cook a few seconds longer.  
4. Some brands of frozen pizza may required more or less cooking time.

## ONE TOUCH COOKING (CONTINUED)

<b>DISH WARMER</b>	1. Touch DISH WARMER pad once for 350g or twice for 450g.	When you touch DISH WARMER pad once, "350" is displayed. After 1.5 seconds, the display is changed into cooking time and the oven starts cooking.
--------------------	---	---

**\* DISH WARMER \***

- 350 g : Touch DISH WARMER once.
- 450 g : Touch DISH WARMER twice within 1.5 seconds.

**NOTE:** 1. Put food on microwave plate.  
2. Cover with vented plastic wrap.

## AUTO COOK

Auto cook allows you to cook or reheat many of your favorite foods by repeatedly touching auto cook pad.

<b>AUTO COOK</b>	1. Touch AUTO COOK pad.	When you touch AUTO COOK pad once, "AC-1" is displayed. By repeatedly touching this pad, you can select other food category as shown in the chart below.
------------------	-------------------------	--

CATEGORY	FOOD	WEIGHT	TOUCH PAD	DIRECTIONS
AC-1	BREAD	4slices	Touch AUTO COOK once	Place bread on a microwave dish.
AC-2	SOUP	350 g	Touch AUTO COOK twice	Pour soup into microwave bowl or mug. Stir before serving.
AC-3	BAKED POTATO	3potatoes (200-250 g each)	Touch AUTO COOK three times	Wash and pierce potatoes with a fork. Place them on turntable.
AC-4	FRESH VEGETABLE	200 g	Touch AUTO COOK four times	Trim and wash the mixed vegetables. Place them in the round dish. Add to 2 Tbsp. water.
AC-5	FROZEN VEGETABLE	200 g package	Touch AUTO COOK five times	Place the vegetables in the round dish. Add to 2Tbsp. water.

<b>START</b>	2. Touch START pad.	When you touch START pad, the display changed into cooking time of quantity and the oven starts cooking.
--------------	---------------------	--

## LESS, MORE

---

To alter one touch cooking or cooking time whilst oven is in operation, use LESS or MORE. (except for defrosting) Press LESS/MORE to decrease/increase the one touch cooking time in multiples of 10 seconds.

The overall one touch cooking time can be increased to a maximum of 99 minutes 50 seconds.

Press LESS/MORE to decrease/increase the cooking time in multiples of 1 minute.

The overall cooking time can be increased to a maximum of 99 minutes.

---

## CHILD SAFETY LOCK

---

The safety lock prevents unwanted oven operation such as by small children.

To set, press and hold STOP/CLEAR for 3 seconds, LOCK indicator lights.

To cancel, press and hold STOP/CLEAR for 3 seconds, LOCK indicator goes off.

---

## TO STOP THE OVEN WHILE THE OVEN IS OPERATING

---

1. Press STOP/CLEAR pad.
  - You can restart the oven by touching START pad.
  - Touch STOP/CLEAR once more to erase all instructions.
  - You must enter in new instructions.
2. Open the door.
  - You can restart the oven by closing the door and touching START.

**NOTE:** Oven stops operating when door is opened.

**UTENSIL TEST**

Dishes that do not absorb microwave energy are best for microwave cooking. Look on the label to verify that the particular cups, glasses, plates are indeed suitable, especially paper goods. If you are not sure, try this utensil test to check.

- Put the empty utensil in the microwave oven.
- Put one cup of water in a glass measure next to the empty utensil.
- Heat on HI for 1 minute.
- After 1 minute the water should be warm but the utensil should not. If the utensil is warm, it is not suitable for microwave cooking.

**MICROWAVE UTENSILS*****Glass, Ceramic and China***

Ovenproof glass or ceramic baking dishes are the most used microwave utensils.

Many of these items are readily available in most homes : glass measure, custard cups, mixing bowls, covered casseroles, pie plates and round or square cake dishes. Ovenproof dinner ware is usually safe to use in the microwave.

Do not heat or cook in glass jars or bottles.

Do not use dishes with silver, gold, platinum or other metal trim. Arcing may occur and /or the dish may break.

Do not use delicate or stemmed glassware. Although the glass may be transparent to microwave energy, heat from the food may cause the glassware to crack.

***Plastics***

Plastic dishes, cups, mugs and bowls may be used in the oven for short periods of time. None of these should be used in the oven for prolonged periods because distortion and melting may occur. Check manufacturer's recommendations concerning microwave safety.

Plastic wrap can be used to cover dishes in most recipes if the dish is deep enough to avoid plastic wrap touching the food. Always vent the wrap by folding back one corner to allow excess steam to escape.

Plastic cooking bags should be slit before cooking so excess steam can escape.

Do not use wire twist ties to close the bag. Wire twist ties can cause arcing which can damage the oven.

***Paper***

Paper cups, wax paper, napkins, paper towels, and plates may be used for short cooking. Prolonged time in the oven can cause paper to burn. Do not use recycled paper products, such as brown paper bags. They contain impurities which may cause arcing and damage the oven.

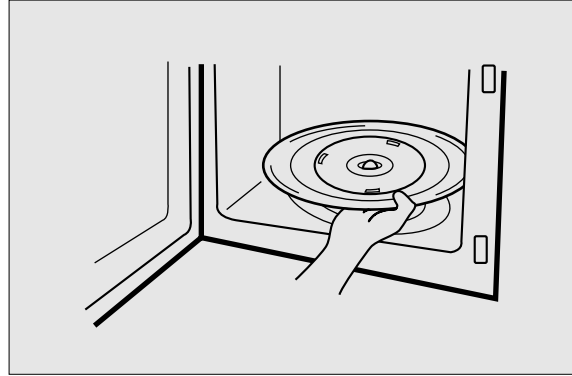
***Metal***

Metal utensils should not be used in the oven. Metal reflects microwave energy so foods will not cook evenly.

Metal can cause arcing and damage the oven.

# CARE OF YOUR MICROWAVE OVEN

- 1 Turn the oven off before cleaning.
- 2 Keep the inside of the oven clean. When food spatters or spilled liquids adhere to oven walls, wipe with a damp cloth. Mild detergent may be used if the oven gets very dirty. The use of harsh detergent or abrasives is not recommended.
- 3 The outside oven surface should be cleaned with soap and water, rinsed and dried with a soft cloth. To prevent damage to the operating parts inside the oven, water should not be allowed to seep into the ventilation openings.
- 4 If the Control Panel becomes wet, clean with a soft, dry cloth. Do not use harsh detergents or abrasives on Control Panel.
- 5 If steam accumulates inside or around the outside of the oven door, wipe with a soft cloth. This may occur when the microwave oven is operated under high humidity conditions and in no way indicates malfunction of the unit.
- 6 It is occasionally necessary to remove the glass tray for cleaning. Wash the tray in warm sudsy water or in a dishwasher.
- 7 The roller guide and oven cavity floor should be cleaned regularly to avoid excessive noise. Simply wipe the bottom surface of the oven with mild detergent water or window cleaner and dry. The roller guide may be washed in mild sudsy water.

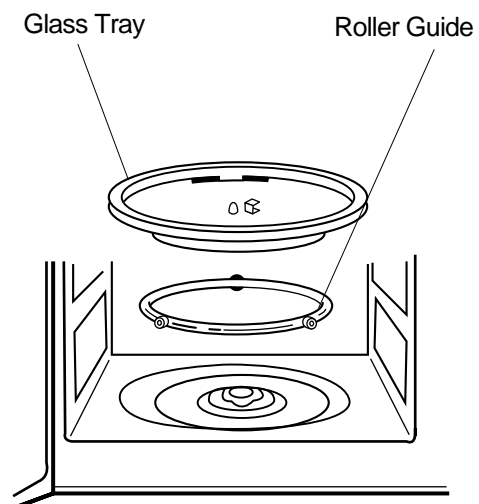


## ROLLER GUIDE

- 1 The ROLLER GUIDE and oven floor should be cleaned frequently to prevent excessive noise.
- 2 The ROLLER GUIDE MUST ALWAYS be used for cooking together with the Glass Tray.

## GLASS TRAY

- 1 DO NOT operate the oven without the Glass Tray in place.
- 2 DO NOT use any other Glass Tray with this oven.
- 3 If Glass Tray is hot, ALLOW TO COOL before cleaning or placing it in water.
- 4 DO NOT cook directly on the Glass Tray.



# USE YOUR MICROWAVE OVEN SAFELY

## GENERAL USE

Do not attempt to defeat or tamper with safety interlocks.

Do not place any object between the oven front frame and the door or allow residue to build up on sealing surfaces. Wipe with a mild detergent, rinse and dry. Never use abrasive powders or pads.

Do not subject the oven door strain or weight such as a child hanging on an open door. This could cause the oven to fall forward resulting in injury to you and damage to the oven.

Do not operate the oven if door seals or sealing surfaces are damaged; or if door is bent; or if hinges are loose or broken.

Do not operate the oven empty. This will damage the oven.

Do not attempt to dry clothes, newspapers or other materials in the oven. They may catch on fire.

Do not use recycled paper products as they may contain impurities which may cause sparks or fires.

Do not hit or strike the control panel with hard objects. This can damage the oven.

## FOOD

Never use your microwave oven for home canning. The oven is not designed for proper home canning. Improperly canned food may spoil and be dangerous to consume.

Always use the minimum recipe cooking time. It is better to undercook rather than over cook foods. Undercooked foods can be returned to the oven for more cooking. If food is overcooked, nothing can be done.

Heat small quantities of food or foods with low moisture carefully. These can quickly dry out, burn or catch on fire.

Do not heat eggs in the shell. Pressure may build up and eggs can explode.

Potatoes, apples, egg yolks and sausages are examples of food with non-porous skins. These must be pierced before cooking to prevent bursting.

Do not attempt to deep fat fry in your microwave oven.

Always stir liquids before heating. Heated liquids can erupt if they are not mixed with air beforehand

Do not leave the oven unattended while making popcorn.

Do not pop popcorn in a paper bag unless it is the commercially prepared Microwave Popcorn product. The kernels can overheat and ignite a brown paper bag.

Do not put packaged Microwave Popcorn bags directly on the oven tray. Place the package on a microwave safe glass or ceramic plate to avoid overheating and cracking the oven tray.

Do not exceed the Microwave Popcorn manufacturers' suggested popping time. Longer popping does not yield more popcorn but it can result in scorch burn of fire. Remember, the popcorn bag and tray can be too hot to handle. Remove with caution and use pot holders.

## BEFORE YOU CALL FOR SERVICE

Refer to following checklist, you may prevent an unnecessary service call.

\* The oven doesn't work;

1. Check that the power cord is securely plugged in.
2. Check that the door is firmly closed.
3. Check that the cooking time is set.
4. Check for a blown circuit fuse or tripped main circuit breaker in your house.

\* Sparking in the cavity;

1. Check utensils. Metal containers or dishes with metal trim should not be used.
2. Check that metal skewers or foil does not touch the interior walls.

If there is still a problem, please contact an authorised NEC repairer.

**DO NOT ATTEMPT TO SERVICE THE OVEN YOURSELF!**

## QUESTIONS AND ANSWERS

\* **Q** : I accidentally ran my microwave oven without any food in it. Is it damaged?

**A** : Running the oven empty for a short time will not damage the oven. However, it is not recommended.

\* **Q** : Can the oven be used with the glass tray or roller guide removed?

**A** : No. Both the glass tray and roller guide must always be used in the oven before cooking.

\* **Q** : Can I open the door when the oven is operating?

**A** : The door can be opened anytime during the cooking operation. Then microwave energy will be instantly switched off and the time setting will maintain until the door is closed and START is touched.

\* **Q** : Why do I have moisture in my microwave oven after cooking?

**A** : The moisture on the side of your microwave oven is normal. It is caused by steam from cooking food hitting the cool oven surface.

\* **Q** : Does microwave energy pass through the viewing screen in the door?

**A** : No. The metal screen bounces back the energy to the oven cavity. The holes are made to allow light to pass through. They do not let microwave energy pass through.

# NEC

**NEC Australia Pty. Ltd.**  
**ABN 86 001 217 527**  
**Home Electronics Group**

## NEC Service Centres

**PH: 131-632**

### **New South Wales**

Sydney	184 Milperra Rd, Revesby 2212	(02) 9780 8688
Newcastle	120 Parry Street, Newcastle West 2302	(02) 4926 2466

### **Victoria**

Melbourne	Unit 1/6 Garden Road, Clayton 3168	(03) 8562 6245
-----------	------------------------------------	----------------

### **Queensland**

Brisbane	Unit 4 / 305 Montague Road, WEST END 4101	(07) 3840 5858
Southport	Shop 1, 48 Ferry Road, Southport 4215	(07) 5591 3670

### **South Adelaide**

Adelaide	84A Richmond Rd, Keswick, 5053	(08) 8375 5710
----------	--------------------------------	----------------

### **Western Australia**

Perth	45 Sarich Court, Osborne Park 6017	(08) 9445 5901
-------	------------------------------------	----------------

For Service in outer areas, please contact your NEC retailer for the address of the nearest  
Authorised NEC Service Centre

---

**NEC Australia Pty. Ltd.**  
**Home Electronics Group**  
**244 Beecroft Road EPPING 2121**  
**Tel: 131 632**  
**Fax: (02) 9877 2353**

# NEC

NEC Australia Pty. Ltd.  
ABN 86 001 217 527  
Home Electronics Group  
244 Beecroft Road (P.O. Box 443)  
EPPING 2121

Phone 131 632 for your nearest NEC office.