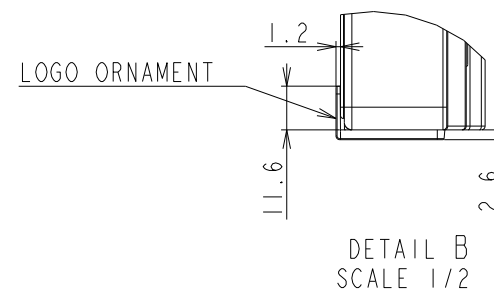
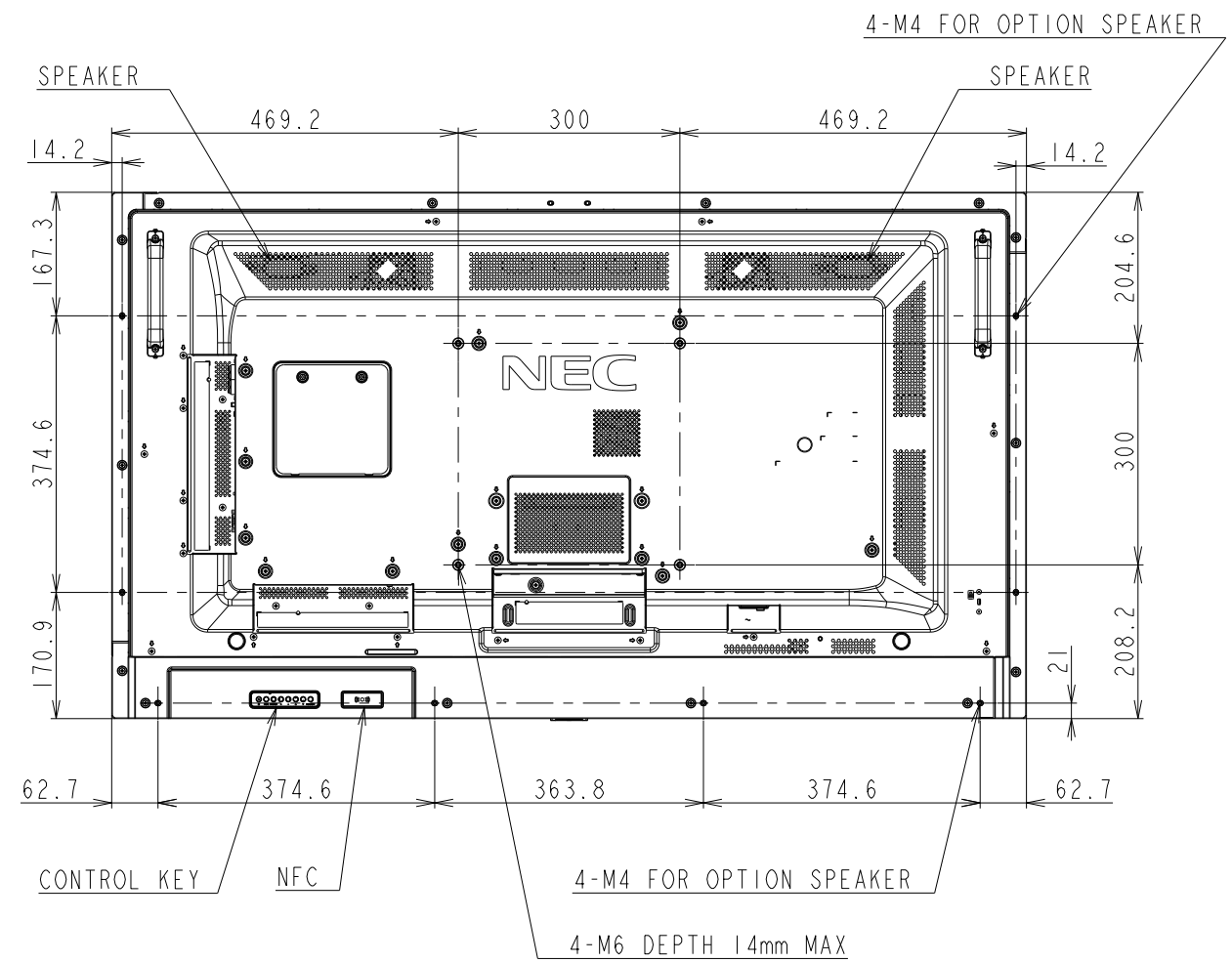
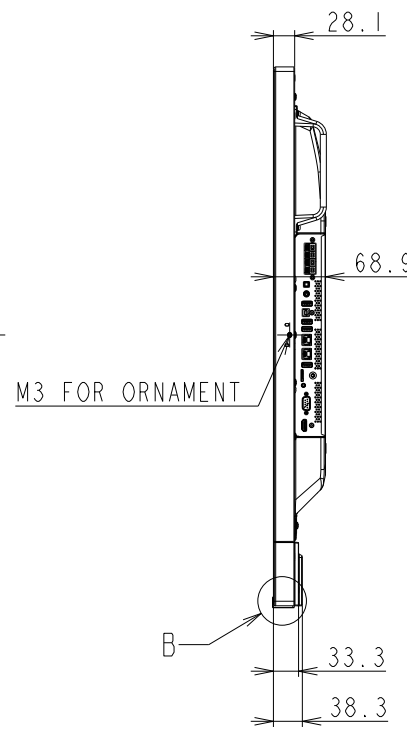
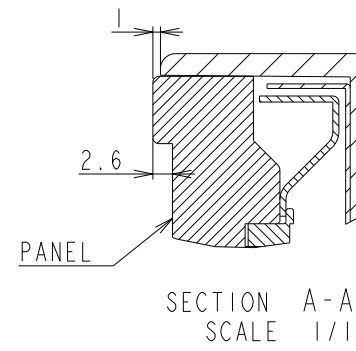
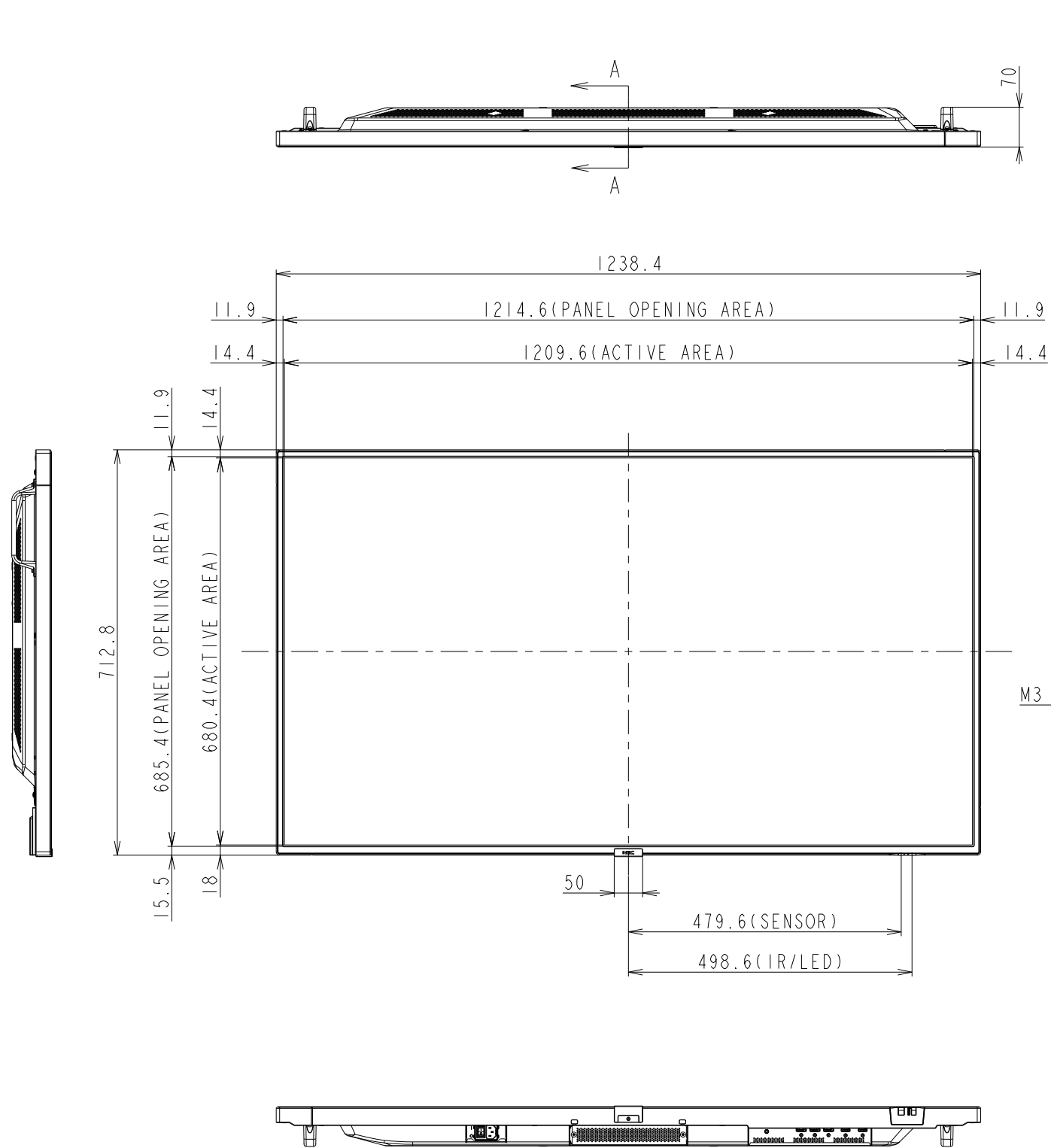


V554Q_OUTLINE

The center of gravity: It is within 10mm from active center.



UNIT	mm
MODEL	V554Q
SCALE	1/10
NEC Display Solutions 2018/11/01	